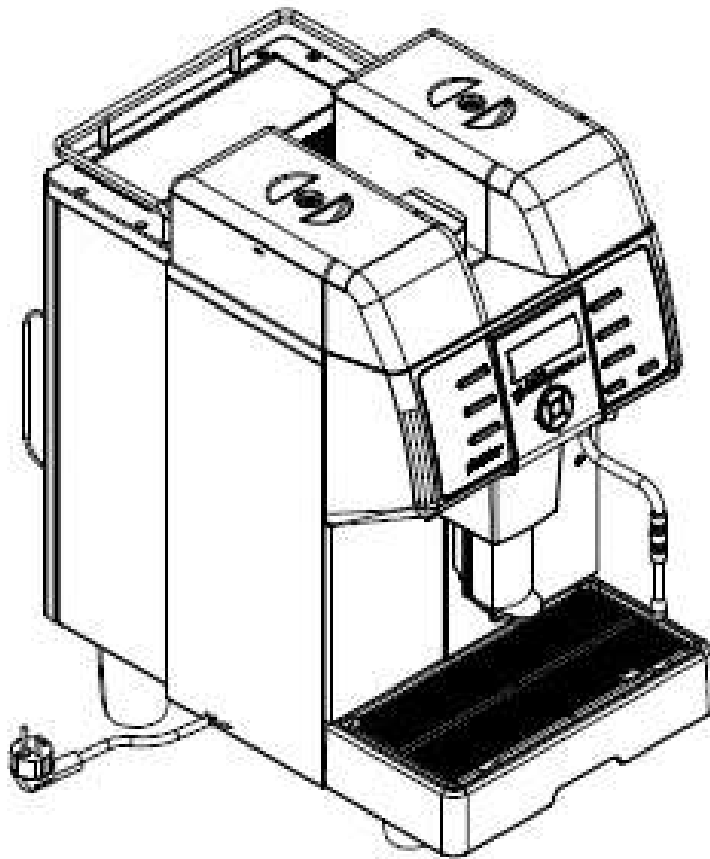


SPARE PARTS BOOK

prontobar



PRONTOBAR SILENT

05/08/2021

- T. 01 **CABINET PARTS**
COMPONENTI GRUPPO CARENA
- T. 02 **TANK-FRAME PARTS**
COMPONENTI TELAIO-TANICA
- T. 03 **BOILERS PARTS**
COMPONENTI CALDAIE
- T. 04 **POURING GROUP PARTS**
COMPONENTI GRUPPO EROGAZIONE
- T. 05 **GRINDERS PARTS**
COMPONENTI MACININI
- T. 06 **ELECTRICAL PARTS**
COMPONENTI ELETTRICI
- T. 07 **WAND AND PUMP PARTS**
PARTI POMPA E LANCE
- T. 08 **HYDRAULIC PARTS**
COMPONENTI IDRAULICI

» LEGEND :

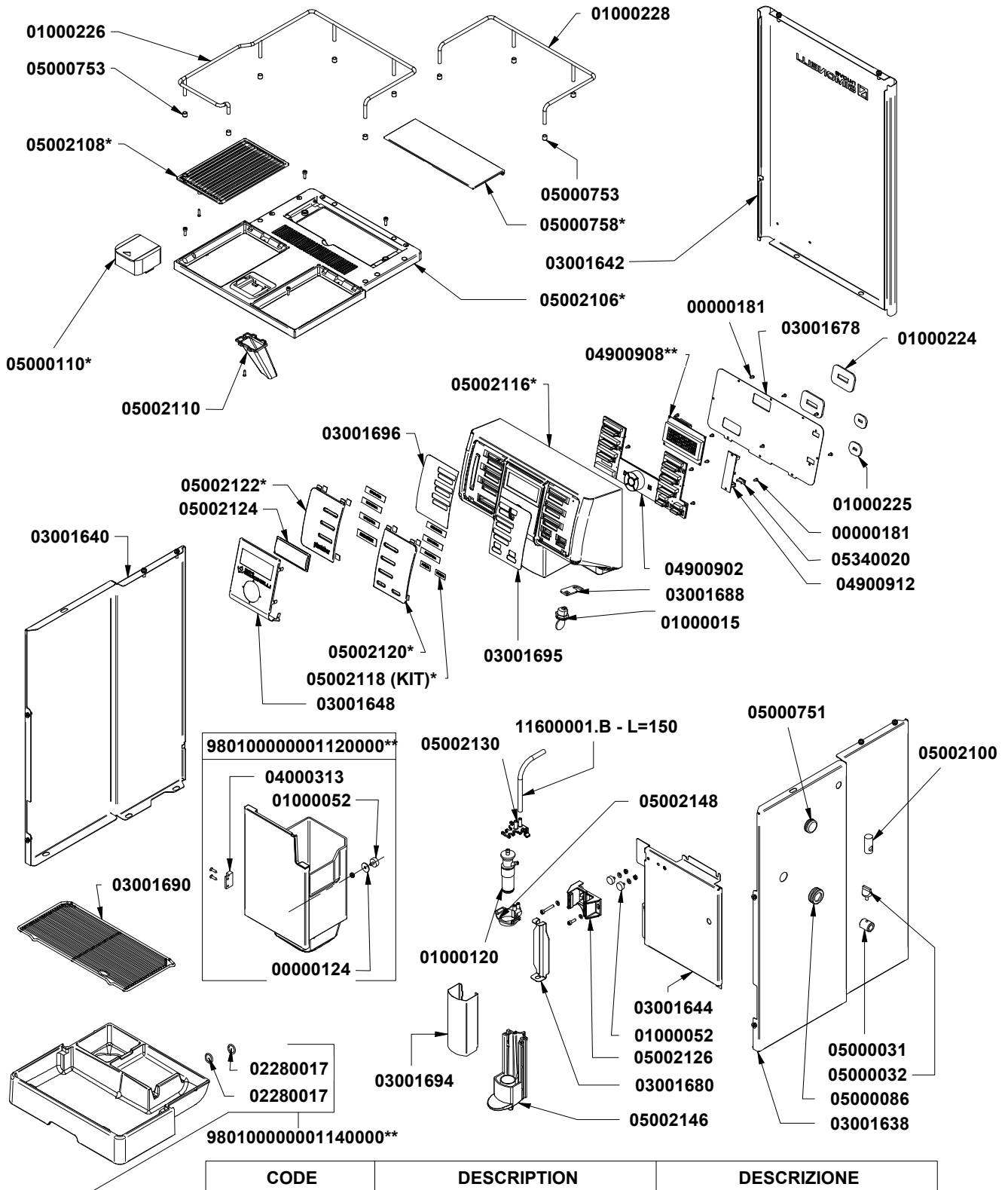
THE CODES WRITTEN IN BOLD REFER TO THE COMPONENTS
EMPLOYED CURRENTLY.

THE CODES USED BEFORE ARE WRITTEN IN CORSIVE WITH INDICATED,
ON THE SIDE, THE END OF VALIDITY DATE.

EXAMPLE:

03001531 - 01/09/2007

03001531



CODE	DESCRIPTION	DESCRIZIONE
98250000000400	TRAN. KIT DISPENSING NOZZLE	KIT TRASF.BECCO EROGAZIONE

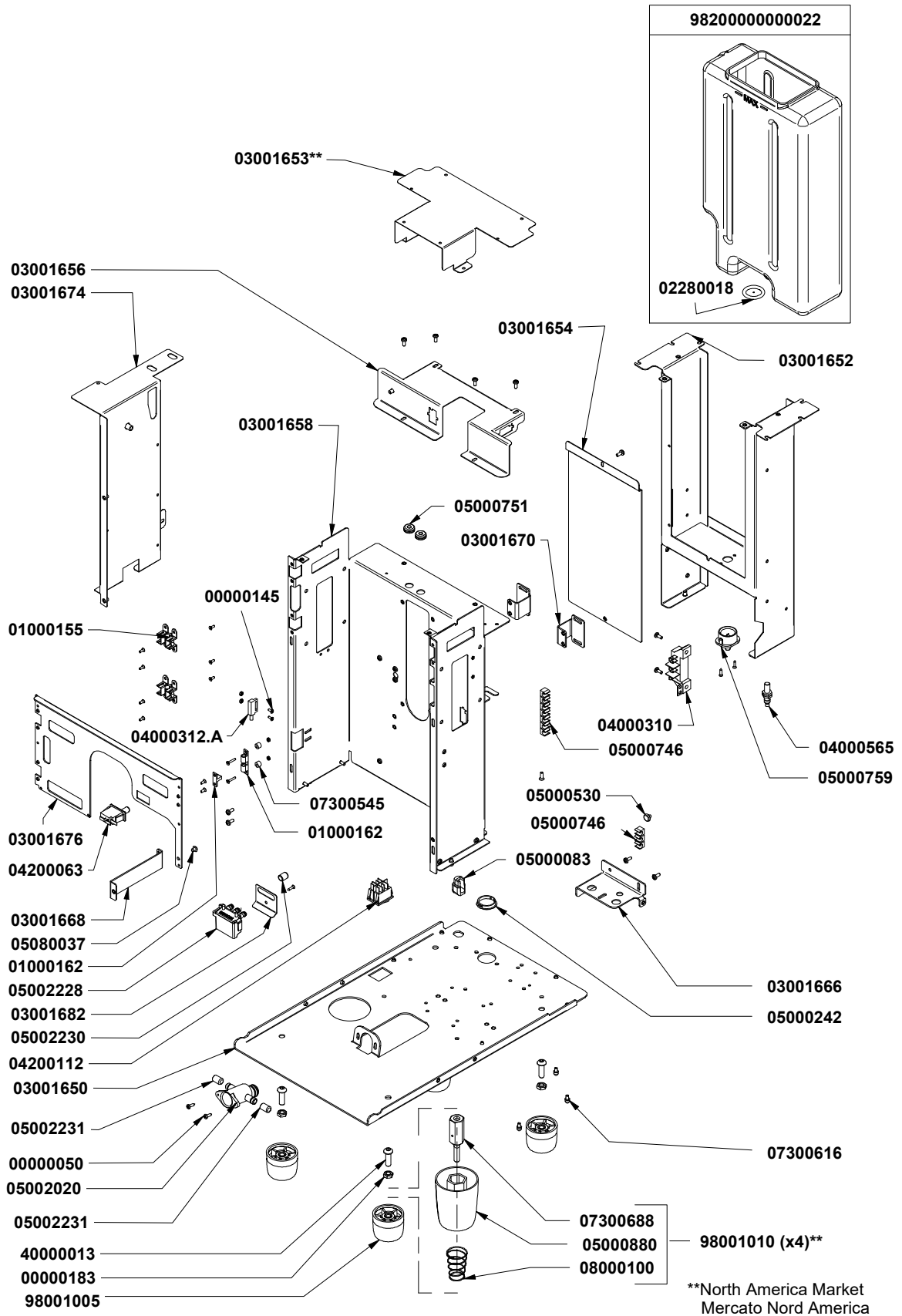
*Specify color
Specificare colore

**Specify version
Specificare versione

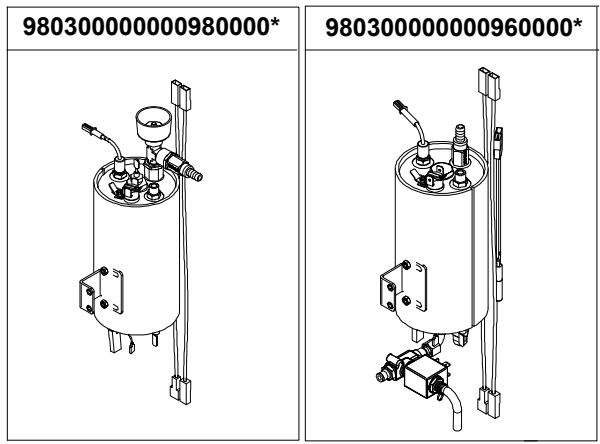
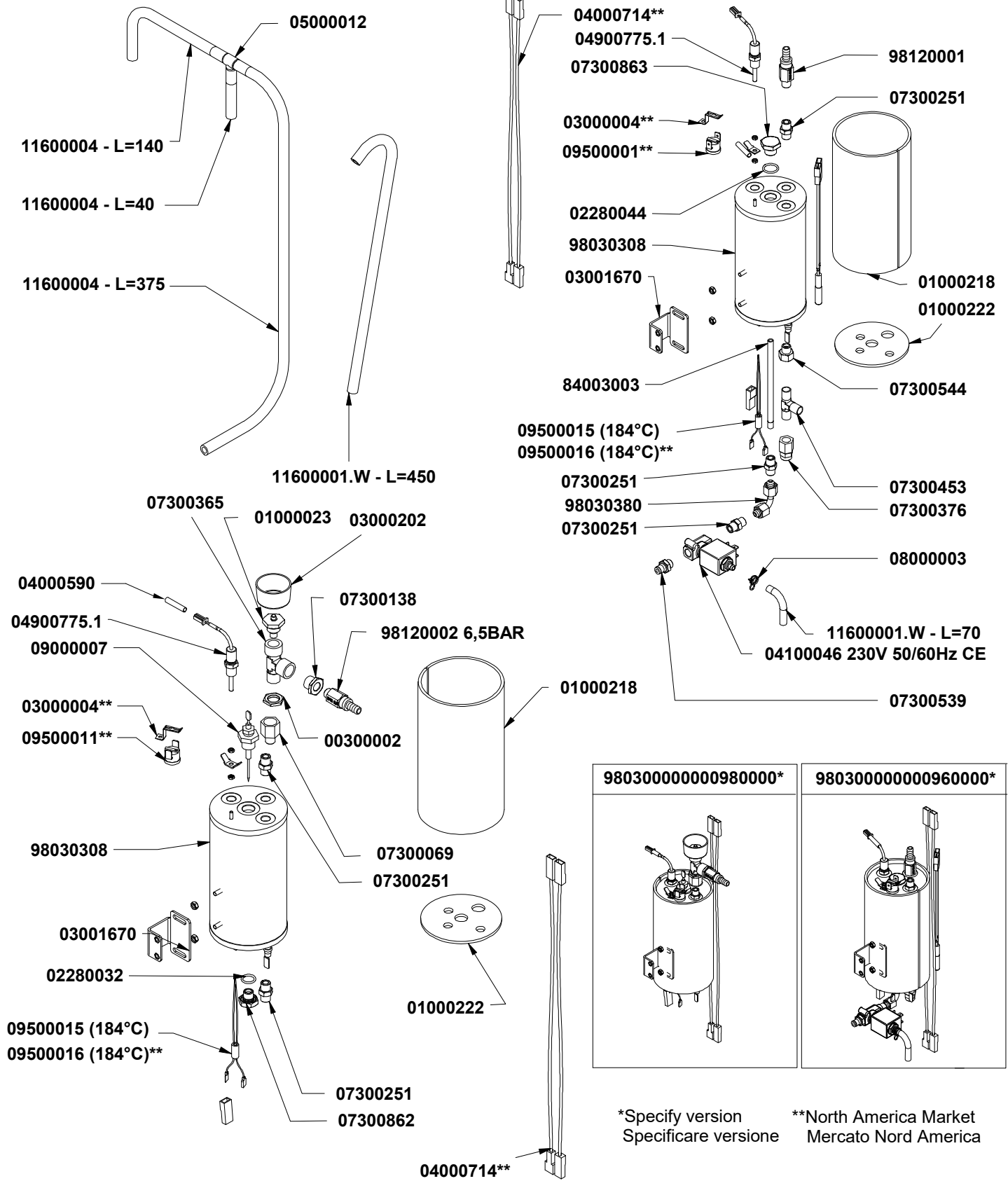
COD.	DESCRIPTION	DESCRIZIONE	VAL.
00000124	GALV WASHER D4 3x16x1.5	RONDELLA AQ D4.3X16X1.5 ZINC.	
00000181	GALV CROSS HCS 3x8 DBL SPIRAL HILO TYPE UNI 9707	VITE TCTCR 3X8 DOPPIA ELICA HILO ZINC. UNI9707	
01000015	CONTROLLED LOCK CONF. G 50 PZ	SERRATURA INVOLUCRO COMANDI CONF. G (50 PZ.)	
01000052	MAGNET RPV 14	CALAMITA RPV 14	
01000120	MICROBAR MILK FROTHER	CAPPUCCINATORE "MICROBAR"	
R01000120	KIT-MILK FROTHER - 1Pcs	KIT-CAPPUCCINATORE - 1Pz	
01000224	ADH INSULATING MOUSSE FOR CABLE GLAND D3 PRON	PROTEZ. PASSAGGIO CAVI MOUSSE ADESIVA SP.3 PRON	
01000225	ADH INSULATING MOUSSE FOR USB CABLE D3 PRONTO	PROTEZ. PASSAGGIO CAVI USB MOUSSE ADES. SP.3 PRO	
01000226	S/S FRAME CASE COVER - PRONTOBAR 1 FUNNEL	CORNICE INOX COPERCHIO CARENA PRONTOBAR 1 CAM	
01000228	S/S FRAME CASE COVER - PRONTOBAR 2 FUNNELS	CORNICE INOX COPERCHIO CARENA PRONTOBAR 2 CAM	
02280017	GASKET ORING R3062/AN12 D21 EP851	GUARN. OR R3062/AN12 D21 EP851	
03001638	S/S RIGHT SIDE CASE - PRONTOBAR	CARENA DX INOX PRONTOBAR	
03001640	S/S LEFT SIDE CASE - PRONTOBAR	CARENA SX INOX PRONTOBAR	
03001642	S/S BACK PANEL CASE - PRONTOBAR	CARENA RETRO INOX PRONTOBAR (LOGO CONIATO)	
03001644	S/S FRONT LOWER CASE - PRONTOBAR	CARENA FRONTALE INFERIORE INOX PRONTOBAR	
03001648	S/S CENTRAL DOOR INSERT - PRONTOBAR	INSERTO INOX CENTRALE PORTA PRONTOBAR	
03001678	KEYPAD PROTECTION PANEL - PRONTOBAR	LAMIERA PROTEZIONE PULSANTIERA PRONTOBAR	
03001680	DISPENSING SPOUT PANEL - PRONTOBAR	LAMIERA BECCO EROGAZIONE PRONTOBAR	
03001688	LOCK PLATE - PRONTOBAR	PIASTRA SERRATURA PRONTOBAR	
03001690	S/S MESH WORK SURFACE - PRONTOBAR	RETINA A FILO INOX PIANO LAV. PRONTOBAR	
03001694	S/S COVER DISPENSER SPOUT - PRONTOBAR	COVER ACC. INOX BECCO EROG. PRONTOBAR	
03001695	S/S FRONT DOOR RIGHT INSERT - PRONTOBAR 2013	INSERTO INOX DX PORTA FRONTALE PRONTOBAR 2013	
03001696	S/S DOOR LEFT INSERT-PRONTOBAR2013+LOGO LASER	INSERTO INOX SX PORTA FRONTALE PRONTOBAR 2013 +	
04000313	MAGNETIC UNIT M 305 AA	UNITA' MAGNETICA M 305 AA	
04900902	DISPENSING KEYPAD BOARD PRONTOBAR	SCHEDA EROGAZIONE PRONTOBAR	
04900908	4LINE GRAPHIC DISPLAY PRONTOBAR	DISPLAY GRAFICO 4 RIGHE PRONTOBAR	
04900912	USB BOARD PRONTOBAR	SCHEDA USB CENTR. PRONTOBAR	
05000031	MILK-FROTHER REGULATION RING	ANELLO REGOLAZ. CAPPUCCINATORE	
05000032	THREADED KNOB	POMELLO FILETTATO	
05000086	MEMBRANE CABLE DUCT WHITE	PASSACAVO A MEMBRANA BIANCO	
05000110	DECAF CONVOYER	RACCORDO DECAFFEINATO MASTER	
05000751	BLACK PVC MEMBRANE GLAND D12x17x7	PASSACAVO PVC NERO D12X17X7 CON MEMBRANA	
05000753	MICROBAR BASE FRAME GROMMET D6	GOMMINO CORNICE CARENA MICROBAR D.6	
05002100	SCREW W/O HEAD M5x10 NEUTRAL DIN 551	GRANO PLASTICO M5X10 NEUTRE DIN 551	
05000758.BPV	WATER TANK COVER 5LT PRONTOBAR PEARL WHITE PA	COPERCHIO VASCHETTA ACQUA 5LT PRONTOBAR BIANCO	
05002106.BPV	COVER FRAME PRONTOBAR PAINTED PEARL WHITE	COPERCHIO CARENA PRONTOBAR BIANCO PERLA VERNI	
05002106.NV	COVER FRAME PRONTOBAR PAINTED BLACK+MATTE TF	COPERCHIO CARENA PRONTOBAR NERO VERN. RAL 9005	
05002108.BPV	2° GRINDER COVER PRONTOBAR - PAINTED PEARL WHI	COPERCHIO 2° MACININO PRONTOBAR BIANCO PERLA VE	
05002108.NV	COVER 2° GRINDER PRONTOBAR PAINTED BLK+MATTE	COPERCHIO 2° MACININO PRONTOBAR NERO VERN. RAL	
05002110	DECAFFEINATED CONVEYOR PRONTOBAR	CONVOGLIATORE DECA PRONTOBAR	
05002116.BPV	FRONT DOOR PRONTOBAR PAINTED PEARL WHITE	PORTA FRONTALE PRONTOBAR BIANCO PERLA VERNICIA	
05002116.NV	FRONT DOOR PRONTOBAR PAINTED MATTE BLK+TRANS	PORTA FRONTALE PRONTOBAR NERO VERN. RAL 9005 O	
05002118	KEYPAD LABELS PRONTOBAR BLACK 11 DRINKS	ETICH. LEGENDABILI PULS. PRONTOBAR NERO 11 BEVAN	
05002120	FRONT DOOR RIGHT INSERT PRONTOBAR	INSERTO DX PORTA FRONTALE PRONTOBAR	
05002122	FRONT DOOR LEFT INSERT PRONTOBAR	INSERTO SX PORTA FRONTALE PRONTOBAR	
05002124	DISPLAY PROTECTION PRONTOBAR	PROTEZIONE DISPLAY PRONTOBAR	
05002126	DISPENSING SUPPORT PRONTOBAR	SUPPORTO EROGATORE PRONTOBAR GRIGIO	
05002130	SUPERIOR TUBE SUPPORT DISPENSING NOZZLE PRONT	SUPPORTO SUP. TUBI BECCO EROG. PRONTOBAR	
05002146	DISPENSING NOZZLE PRONTOBAR GREY FOR S/S COVE	BECCO EROGATORE PRONTOBAR GRIGIO PER COVER IN	
05002148	INFERIOR TUBE SUPPORT DISPENSING NOZZLE PRONT	SUPPORTO INF. TUBI BECCO EROG. PRONTOBAR	

prontobar**SILENT****SILENT****COMPONENTI GRUPPO CARENA****CABINET PARTS**

COD.	DESCRIPTION	DESCRIZIONE	VAL.
05340020	USB PLUG PROTECTION	PROTEZIONE X PRESA USB	
11600001.B	BLUE SILICONE PIPE 4x7,5 60Sh (1mt=41gr)	TUBO SILICONE BLU 4X7,5 60SH (1MT=41GR) PLATINICO S	
980100000001120001	COFFEE GROUNDS DRAWER SET PRONTOBAR	ASS. CASSETTO FONDI (NO SCARICO DIRETTO FONDI)	
980100000001120002	COFFEE GROUNDS DRAWER SET PRONTOBAR	ASS. CASSETTO FONDI (SI SCARICO DIRETTO FONDI)	
980100000001140001	WATER DRIP TRAY SET PRONTOBAR	ASS. VASCHETTA RACC.ACQUA (NO SCARICO DIRETTO F	
980100000001140002	WATER DRIP TRAY SET PRONTOBAR	ASS. VASCHETTA RACC.ACQUA (SI SCARICO DIRETTO FO	
05000758.NV	WATER TANK COVER 5LT PRONTOBAR	COPERCHIO VASCHETTA ACQUA 5LT PRONTOBAR NERO	
98250000000400	S/S TRANSFORMATION KIT DISPENSING NOZZLE	KIT TRASF.BECCO EROG.PRONTOBAR 2010 IN VERSIONE	



COD.	DESCRIPTION	DESCRIZIONE	VAL.
00000050	CROSS HEAD/CAP SELF-TAPPING CHIPBOARD SCREW 3	VITE AUTOF 3,5X12 TC/T.CR. TRUCIOLARE	
00000145	S/S SCREW M3x8 TSPEI UNI 5933	VITE INOX M3X8 TSPEI UNI 5933	
00000183	S/S NUT M8 LOW 5589 h5	DADO INOX M8 BASSO 5589 H5	
01000155	MICROBAR/PRONTOBAR DOOR HINGE 43x10 NICKEL-PLA	CERNIERA SPORTELLO 43X10 NICH.MICROBAR/PRONTOB	
01000162	COMPLETE MICROBAR LOCK	SCROCCHETTO COMPL. MICROBAR	
02280018	RED SILICON GASKET O RING Sh70	GUARN. OR R11 D19 SILICONE ROSSO SH70	
03001650	BASE FRAME - PRONTOBAR	BASE TELAIO PRONTOBAR	
03001652	CONTAINER SUPPORT - PRONTOBAR	SUPPORTO TANICA PRONTOBAR	
03001653	MOTOR GROUP PROTECTION PANEL - PRONTOBAR	LAMIERA PROTEZ. MOTORE GR. EROGAZIONE CSA	
03001654	CONTAINER SUPPORT ENCLOSURE PANEL - PRONTOBA	LAMIERA CHIUSURA SUPP. TANICA PRONTOBAR	
03001656	UPPER PROTECTION PANEL - PRONTOBAR	LAMIERA PROTEZIONE SUPERIORE PRONTOBAR	
03001658	GRINDER SUPPORT PANEL - PRONTOBAR	LAMIERA SUPPORTO MACININI PRONTOBAR	
03001666	STEAM WAND + HOT WATER SUPPORT - PRONTOBAR	SUPPORTO LANCIA VAPORE + ACQUA CALDA PRONTOBA	
03001668	FRONT SUPPORT PANEL - PRONTOBAR	LAMIERA SUPPORTO FRONTALE PRONTOBAR	
03001670	BOILER SUPPORT PANEL - PRONTOBAR	LAMIERA SUPPORTO CALDAIA PRONTOBAR	
03001674	CENTRAL UNIT SUPPORT PANEL - PRONTOBAR	LAMIERA SUPPORTO CENTRALINA PRONTOBAR	
03001676	INTERNAL ENCLOSURE PANEL - DOOR - PRONTOBAR	LAMIERA CHIUSURA INTERNA PORTA PRONTOBAR	
03001682	GROUP DRAINAGE PANEL - PRONTOBAR	LAMIERA SCARICO GR. PRONTOBAR	
04000310	SCREW TERMINAL 3 POLE FV110 220V	MORSETTIERA A VITE FV110 230V 3 POLI	
04000312.A	MAGNETIC SENSOR L=400	SENSORE MAGNETICO L=400	
04000565	WATER TANK MAGNETIC SENSOR M8x30 L=300	SENSORE MAGNETICO M8X30 L=300	
R04000565	KIT-WATER TANK MAGNETIC SENSOR M8x30 L=300 - 1Pc	KIT-SENSORE MAGNETICO M8X30 L=300 - 1Pz	
04200063	MICROSWITCH DOOR 3 POSITIONS	MICROSWITCH PORTA 3 POSIZIONI	
04200112	RED LIGHT 0/1 BIPOLAR SWITCH UL 16A	INT. BIPOLARE LUMINOSO ROSSO 0/1 RETT. UL 16A	
05000083	CABLE LOCK SR 11-2 BLACK	BLOCCACAVO SR 11-2 NERO	
05000242	HOLE PLUG D31 BLACK SP-1093	TAPPO COPRIFORO D.31 NERO SP-1093	
05000530	GRINDER FOOT JAZZ D3/6 STEAB 6304 PVC BLACK T.V.	PIEDINO MACININO/JAZZ D.3/6 STEAB 6304 PVC NERO T.V	
05000746	PIPE-HOLDER CLIP D8/7 POSITIONS	CLIP FERMATUBO D8 /7 POSIZIONI	
05000751	BLACK PVC MEMBRANE GLAND D12x17x7	PASSACAVO PVC NERO D12X17X7 CON MEMBRANA	
05000759	WATER CONTAINER COLLECTOR 5LT MICROBAR	COLLETTORE CONTENITORE ACQUA 5LT MICROBAR	
05000880	TALL FOOT EXTENSION 2005 D66 H80mm	PROLUNGA PIEDE ALTO 2005 D.66 H=80 MM.	
05002020	DRIP TRAY ATTACHMENT TALENTO	ATTACCO SCARICO VASCHETTA TALENTO	
05002228	DISCHARGE MANIFOLD DISPENSING GROUP	COLLETTORE SCARICO GRUPPI EROG	
05002230	DRAIN RUBBER PLUG D8 x 05002228	TAPPO GOMMA SCARICO D.8 X 05002228	
05002231	DRAIN RUBBER PLUG D10 x 05002020	TAPPO GOMMA SCARICO D.10 X 05002020	
05080037	HARD RUBBER ROUND FOOT 9x5XH9	PIEDINO GOMMA DURA TONDO 9X5XH9	
07300545	MICROBAR DOOR LOCK SHIM	SPESSORE PER SCROCCHETTO PORTA MICROBAR	
07300616	MICROBAR FRAME PIN M4	PERNO CARENA M4 MICROBAR	
07300688	INSERT EXTENSION TALL FOOT ES 20 L=80 + M8 M-F	INSERTO PROLUNGA PIEDE ES 20 L=80 + M8 M-F PER PIE	
08000100	INTERNAL FOOT SPRING 2005	MOLLA INTERNA PIEDE 2005	
40000013	S/S SOCKET CAP SCREW M8x25	VITE INOX M8X25 TBEI	
98001005	MACHINE FOOT BICOMPONENT D48H40 INSERT M8 FEM.	PIEDE MACCHINA BICOMPONENTE D.48 H=40 INSERTO M8	
98001010	KIT TALL FEET PRONTOBAR (4 PCS.)	KIT PIEDI ALTI PRONTOBAR (4 PZ.)	
98200000000022	5LT WATER TANK SET WITH FLOAT	ASS. TANICA ACQUA 5LT CON GALLEGGIANTE	
R98200000000022	KIT-5LT WATER TANK SET WITH FLOAT - 1Pcs	KIT-ASS. TANICA ACQUA 5LT CON GALLEGGIANTE - 1Pz	



*Specify version Specificare versione **North America Market Mercato Nord America

COD.	DESCRIPTION	DESCRIZIONE	VAL.
00300002	BRASS NUT 1/4 D3 CH18	DADO OT 1/4 SPESS.3 CH18 AGG. 22.07.96	
R00300002	KIT-BRASS NUT 1/4 D3 - 15Pcs	KIT-DADO OT 1/4 SPESS.3 - 15Pz	
01000023	ANTI VACUUM VALVE	VALVOLINA SFIATO	
R01000023	KIT-ANTI VACUUM VALVE - 3Pcs	KIT-VALVOLINA SFIATO - 3Pz	
01000218	BOILER INSULATION D80 115x252,7	ISOLANTE CALDAIA D80 155x252,7	
R01000218	KIT-BOILER INSULATION D80 115x252,7 - 3Pcs	KIT-ISOLANTE CALDAIA D80 155x252,7 - 3Pz	
01000222	BOILER INSULATION INFERIOR D80	ISOLANTE INFER. D.80 CALDAIA	
02280032	GASKET O RING 114 D15 EP 851	GUARN. OR 114 D.15 EP 851	
R02280032	KIT-GASKET O RING 114 D15 EP - 25Pcs	KIT-GUARN. OR 114 D.15 EP - 25Pz	
02280044	GASKET O RING 14x1.78 EP851	GUARN. OR 14X1,78 EP851 2056 MS15	
03000004	SINGLE BRACKET FOR THERMOSTAT	STAFFA SINGOLA X TERMOSTATO	
03000202	CONDENSATION TRAY MASTER	VASCHETTA RACCOGLI CONDENSA AGG. 07.06.97	
R03000202	KIT-CONDENSATION TRAY - 2Pcs	KIT-VASCHETTA RACCOGLI CONDENSA - 2Pz	
03001670	BOILER SUPPORT PANEL - PRONTOBAR	LAMIERA SUPPORTO CALDAIA PRONTOBAR	
04000590	RED WIRE LABELLING RUBBER SLEEVE (HELAVIA A2 VO	MANICOTTO GOMMA SEGNACAVO ROSSO (HELAVIA A2	
04000714	WIRING BOILER THERMOSTAT PRONTOBAR CSA	CABLAGGIO TERMOSTATO CALDAIA PRONTOBAR CSA	
04100046	3WAY SOLENOID 1/8 1/8 M HOSE SUPPORT 230V	E.V. NC 3VIE 1/8-1/8 PORTAG. 230V 50/60HZ VITON F1.5/1.2	
R04100046	KIT-3WAY SOLENOID 1/8 1/8 M HOSE SUPPORT 230V - 1P	KIT-E.V. NC 3VIE 1/8-1/8 PORTAG. 230V 50/60Hz VITO- 1Pz	
04900775.1	TEMPERATURE PROBE 150°NTC ATT.1/8 SS 4X20	SONDA TEMPERATURA 150 ATT.1/8 INOX 4X20 AMP	
R04900775.1	KIT-TEMPERATURE PROBE 150°NTC ATT.1/8 SS 4X20 - 1P	KIT-SONDA TEMPERATURA 150 ATT.1/8 INOX 4x20- 1Pz	
05000012	TUBE FASTENING TS 6	RACCORDO PORTATUBO TS 6	
R05000012	KIT-TUBE FASTENING TS 6 - 10Pcs	KIT-RACCORDO PORTATUBO - 10Pz	
07300069	1/8" M 1/4" F FITTING ADD. 02.03.88	RACCORDO 1/8"M 1/4"F AGG. 02.03.88	
07300138	FITTING ADAPTER 1/4M-1/8F ES.17 AGG.29.05.96 OT-58	RIDUZIONE 1/4"M - 1/8"F ES.17 OT-58	
07300251	FITTING 1/8 M-M HOLE 5,5 + THREADED M6 x L=11	RACCORDO 1/8 M-M FORO 5,5 + FILETT. M6 X L.=11	
R07300251	KIT-FITTING 1/8 M-M HOLE 5,5 + THREADED M6 x L=11 - 4	KIT-RACCORDO 1/8 M-M FORO 5,5 + FILETT. M6 x L.=11- 4Pz	
07300365	T FITTING 1/4 FFM	RACCORDO T 1/4 M-F-F	
07300376	STRAIGHT FITTING F6 1/8	RACCORDO DIR.F. 6 1/8-CALZAM.	
07300453	T FITTING 1/8 M-M-M	RACCORDO T 1/8 M-M-M	
07300539	RAPID FITTING 1/8 STRAIGHT D4	RACCORDO RAPIDO 1/8 DIRITTO D4	
07300544	MF 1/8" ES 14 FOR S/S FILTER D8	PROLUNGA MF 1/8" ES 14 X FILTRO INOX D8	
07300862	PLUG 1/8 GAS Aisi304 + ORING POSITION	TAPPO 1/8 GAS AISI304 + SEDE OR	
07300863	PLUG 1/4 GAS Aisi304 + ORING POSITION	TAPPO 1/4 GAS AISI304 + SEDE OR	
08000003	HOSE CLAMP D9,1	FASCETTA STRINGITUBO D9.1	
09000007	COMPLETE AUTOLEVEL PROBE L85 + PTFE	SONDA AUTOLIVELLO COMP. L=85 CON GOLA	
09500001	AUTOMATIC THERMOSTAT 98°C BLUE DRIPPING	TERMOSTATO RIARMO AUTOM 98C GOCCIOLATURA BLU	
09500011	AUTOMATIC THERMOSTAT 150°C FASTON 6,3 VERTICAL	TERMOSTATO R.AUT. 150 C FASTON 6,3 VERTICALI GOCC	
09500015	HEATING ELEMENT THERMAL PROTECTION G5 184°C 16	TERMOPROTETTORE X RES. G5 184C 16A 250V UL	
09500016	HEATING ELEMENT CARTRIDGE THERMAL PROTECTION	TERMOPROTETTORE A CARTUCCIA 184 C 250V X RESISTI	
11600001.W	WHITE SILICONE PIPE 4x7,5 60Sh(1mt=41gr)	TUBO SILICONE BIANCO4X7,5 60SH(1MT=41GR)	
11600004	SILICONE PIPE 5x9 60Sh PEROX	TUBO SILICONE 5X9 60SH PEROX BIANCO (1MT=50GR)	
84003003	BOILER COPPER TUBE D6 MICROBAR	TUBO RAME D6 CALDAIA MICROBAR	
98030000000960001	COFFEE BOILER SET PRONTOBAR CE	ASS. CALDAIA CAFFE' CE	
98030000000960002	COFFEE BOILER SET PRONTOBAR CSA	ASS. CALDAIA CAFFE' CSA	
98030000000960003	COFFEE BOILER SET CCC	ASS. CALDAIA CAFFE' CCC	
98030000000980001	STEAM BOILER SET CE	ASS. CALDAIA VAPORE PRONTOBAR	
98030000000980002	STEAM BOILER SET CSA	ASS. CALDAIA VAPORE PRONTOBAR	
98030308	S/S WELDED BOILER Aisi316 D77 L145 230V 1000W	CALDAIA SALD. ACCIAIO AISI316 D.77 L=145 230V 1000W *1	
98030380	INFERIOR HOT WATER BOILER TUBE PRONTOBAR	TUBO INF. CALDAIA ACQUA CALDA PRONTOBAR	
98120001	NEPLAX VITON 16,5 BAR VALVE 1/8 HOSE CLAMP	VALVOLA NEPLAX VITON 16,5 BAR 1/8 - PORTAGOMMA	

prontobar

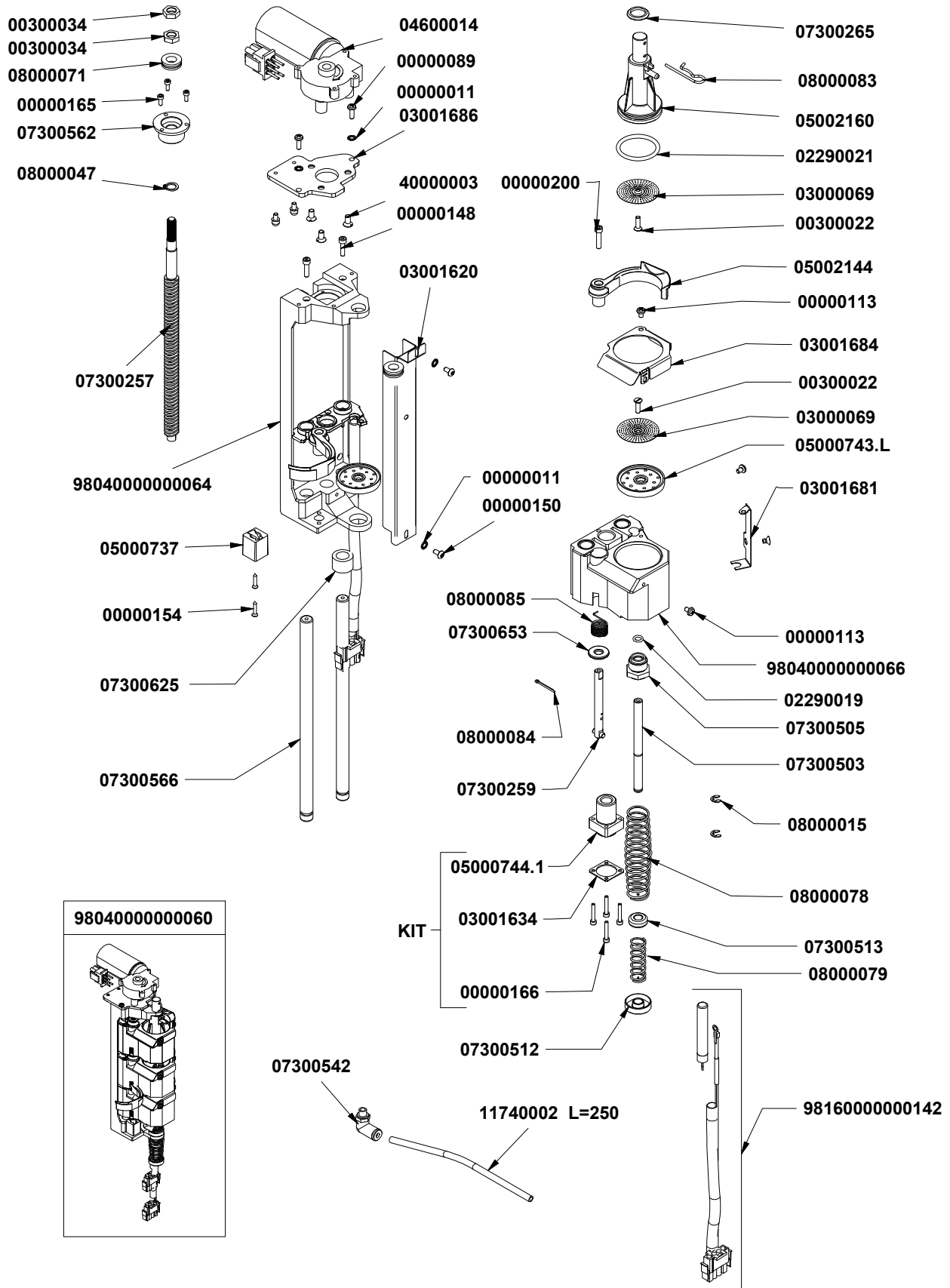
SILENT

SILENT

COMPONENTI CALDAIE

BOILERS PARTS

COD.	DESCRIPTION	DESCRIZIONE	VAL.
98120002	NEPLAX VITON 6,5 BAR VALVE 1/8 HOSE CLAMP	VALVOLA NEPLAX VITON 6,5 BAR 1/8 - PORTAGOMMA	
R98120001	KIT-NEPLAX VITON 16,5 BAR VALVE 1/8 HOSE CLAMP - 2P	KIT-VALVOLA NEPLAX VITON 16,5 BAR 1/8 - PORTAGOMMA	
R98120002	KIT-NEPLAX VITON 6,5 BAR VALVE 1/8 HOSE CLAMP - 1P	KIT-VALVOLA NEPLAX VITON 6,5 BAR 1/8 - PORTAGOMMA	



COD.	DESCRIPTION	DESCRIZIONE	VAL.
00000011	S/S KNURLED WASHER M4 UNI8842/A	RONDELLA INOX M4 ZIGRINATA UNI8842/A	
00000089	S/S CROSSHEAD CAP SCREW M4x12 DIN7985	VITE INOX M4X12 TC TCR DIN7985	
00000113	S/S CROS SHEAD CAP SCREW M4x6 7985	VITE INOX M4X6 TC T.CR. 7985	
00000148	S/S HEXAGON SOCKET HEAD SCREW M4x16 UNI 5931	VITE INOX M4X16 TCEI UNI 5931	
00000150	S/S HEXAGON SOCKET RD SCREW M4x6 ISO 7380	VITE INOX M4X6 TBEI ISO 7380	
00000154	S/S SCREW 3x16 TSPTCR DIN 7505 A	VITE INOX TRUCIOL. 3X16 TSPTCRDIN 7505 A	
00000165	S/S SCREW M3x8 TCEI ISO 4762	VITE INOX M3X8 TCEI ISO 4762	
00000166	S/S SCREW M3x20 TCEI ISO 4762	VITE INOX M3X20 TCEI ISO 4762	
00000200	S/S SCREW M4x20 UNI 5931	VITE INOX M4X20 TCEI UNI 5931	
00300022	S/S SLT COUNTERSUNK SCREW M4X14 DIN963	VITE INOX M4X14 TSP TC DIN963	
00300034	BRASS NUT M10x1.25 D4.5 CH14	DADO OT M10X1.25 SPESS.4.5 CH14	
02290019	GASKET O-RING LOWER PISTON R6 DF801 VITON	GUARNIZIONE OR R6 DF801 VITON	
02290021	GASKET O RING 140/4137 D41.5 SIL RED Sh70	GUARN. OR 140/4137 DE.41.58 SIL. ROSSO 7XL1715	
03000069	S/S SHOWER D40 X M4 CS ADD 08.01.99	DOCCIA INOX D.40 X M4 T.SVP AGG.08.01.99	
03001620	GROUP PROTECTION PLATE MICROBAR 08	LAMIERINO PROTEZ. VITE ELIC. MICROBAR 08	
03001634	FASTENING PLATE FOR MICROBAR 08 GROUP SCREW V	PIASTRINA FISSAGGIO CHIOCCIOLA VITE GRUPPO MICRO	
03001681	PLATE SUPPORT GR DISPENSING RESISTANCE - PRONT	PIASTRINO SOSTEGNO RESISTENZA GR.EROGAZIONE PR	
03001684	SUPER. RESISTANCE P1/L 110V .	LAMIERA GR. EROGAZ. PRONTOBAR (DA TEFLONARE)	
03001686	DISPENSING GROUP ENGINE ADAPTATION PLATE -	PIASTRA ADATTAMENTO MOTORE GR.EROGAZIONE PRO	
04600014	GEARMOTOR 24Vcc ENCODER PRONTOBAR D42 LEFT 4	MOTORIDUTTORE 24VCC ENCODER "PRONTOBAR" D.42 4	
05000737	MICROBAR UNIT EJECTION BUSHING MICROBAR/PRONT	BOCCOLA MOV. ESPULSIONE MICROBAR/PRONTOBAR	
05000743.L	NYLON INFERIOR GR PISTON D43 MICROBAR FINISHED	PISTONE INF. D.43 NYLON GR. MICROBAR LAVORATO	
05000744.1	SPIRAL MOVEMENT SCREW MICROBAR	CHIOCCIOLA VITE MOVIMENTO T.N. MICROBAR	
05002144	EXPLUSION PALETTE PRONTOBAR	PALETTA ESPULSIONE PRONTOBAR	
05002160	SUP DISPENS PISTON UNIF MICROBAR-PRONTOBAR-TA	PISTONE EROG. SUP. UNIFICATO MICROBAR - PRONTOBA	
07300257	S/S SCREW FOR GROUP MOVEMENT PRONTOBAR	VITE MOVIMENTO GR. PRONTOBAR INOX AISI430F	
07300259	GROUP EJECTION AXLE PRONTOBAR	ALBERO PALETTA ESPULSIONE GR. PRONTOBAR	
07300265	WASHER POM-C 21x14,5x2,1 PISTON SUPERIOR GROUP	RONDELLA POM-C 21X14,5X2,1 PISTONE SUP. GR. PRONT	
07300503	MICROBAR GROUP DRAIN LOWER PISTON SHAFT	ALBERO PISTONE INF.SCARICO MICROBAR	
07300505	MICROBAR DRAIN PISTON SHAFT BUSHING	BOCCOLA ALBERO PISTONE SCARICO	
07300512	INFERIOR SPRING PLATE GROUP MICROBAR	PIATTELLO PORTAMOLLA INFERIORE GR. MICROBAR	
07300513	SUPERIOR SPRING PLATE GROUP MICROBAR	PIATTELLO PORTAMOLLA SUPERIORE GR. MICROBAR	
07300542	RAPID FITTING M6 L GIR. D4	RACCORDO RAPIDO M6 L GIR. D4	
07300562	BUSHING FLANGE FOR GROUP SCREW MICROBAR 08	BOCCOLA FLANG. PER VITE GR. ERMICROBAR 08	
07300566	S/S PILLAR 430 GROUP MICROBAR 08	COLONNA INOX 430 GRUPPO MICROBAR 08	
07300625	COPPER SPACER D.20 H=13.5 F.12.5 STOP INFERIOR	SPESSORE OT D.20 H=13.5 F.12.5STOP INF.GR.MICROBAR	
07300653	BRASS WASHER D.20x8.1x2	RONDELLA OT D.20X8.1X2	
08000015	S/S SEEGER RING TYPE RS 5 UNI7434	ANELLO SEEGER TIPO RS 5 INOX UNI7434	
08000047	S/S SEEGER INTERIORS J 10	SEEGER ESTERNI INOX A 10	
08000071	MODULAR AXIAL BEARING 19x10x6	CUSCINETTO ASSIALE componibile 10X19X6	
08000078	MICROBAR GROUP DISCHARGE PISTON LONG SPRING	MOLLA LUNGA PISTONE SCARICO GRUPPO MICROBAR	
08000079	MICROBAR GROUP DISCHARGE PISTON SHORT SPRING	MOLLA CORTA PISTONE SCARICO GRUPPO MICROBAR	
08000083	GALV ELASTIC CLIP D.2 L.43 C70	COPIGLIA ELASTICA D.2 L.43 C70 ZINCATO	
08000084	S/S ELASTIC CLIP D.2 L.20 UNI1336 DIN49 ISO1234	COPIGLIA D.2 L.20 INOX 304 UNI1336 DIN49 ISO1234	
08000085	SPRING FOR GROUP EXPULSION GROUP TALENTO	MOLLA PALETTA ESPULSIONE GR.TALENTO	
11740002	CALIBRATED TEFLON PIPE 4/2,5	TUBO TEFLON 4/2,5 CALIBRATO TRASPARENTE (ROTOLI D	
40000003	S/S SCREW TSPTC UNI6109	VITE INOX M5X10 TSPTC UNI6109	
98040000000060	DISPENSING GROUP SET PRONTOBAR	ASSIEME GRUPPO EROGAZIONE PRONTOBAR	
98040000000064	FINISHED GROUP SUPPORT PRONTOBAR	SUPPORTO GRUPPO LAVORATO PRONTOBAR	
98040000000066	MOBILE PARTS + FINISHED GROUP SET PRONTBAR	ASS. PARTI MOBILI + LAVOR. GRUPPO PRONTOBAR	

prontobar

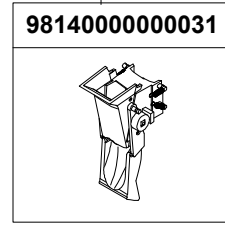
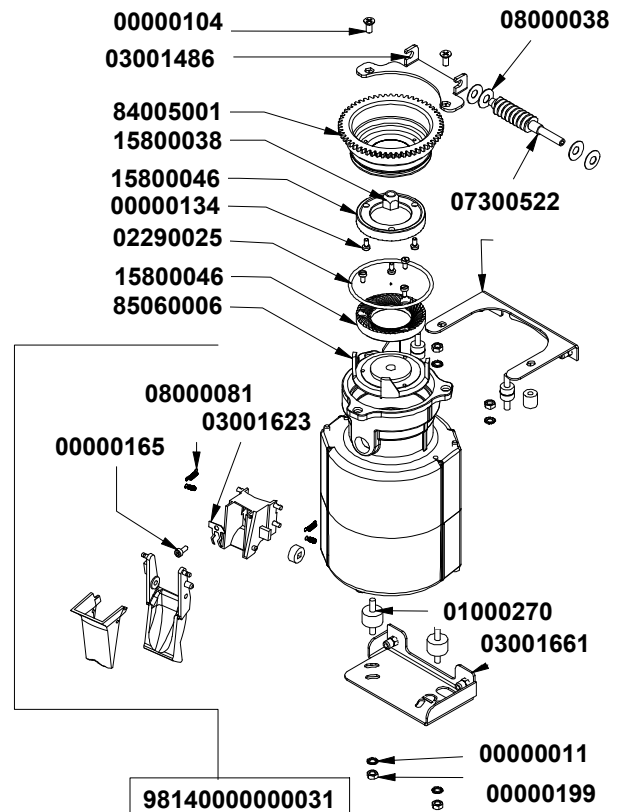
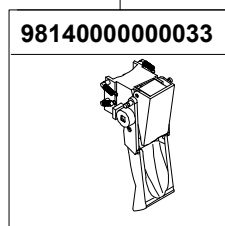
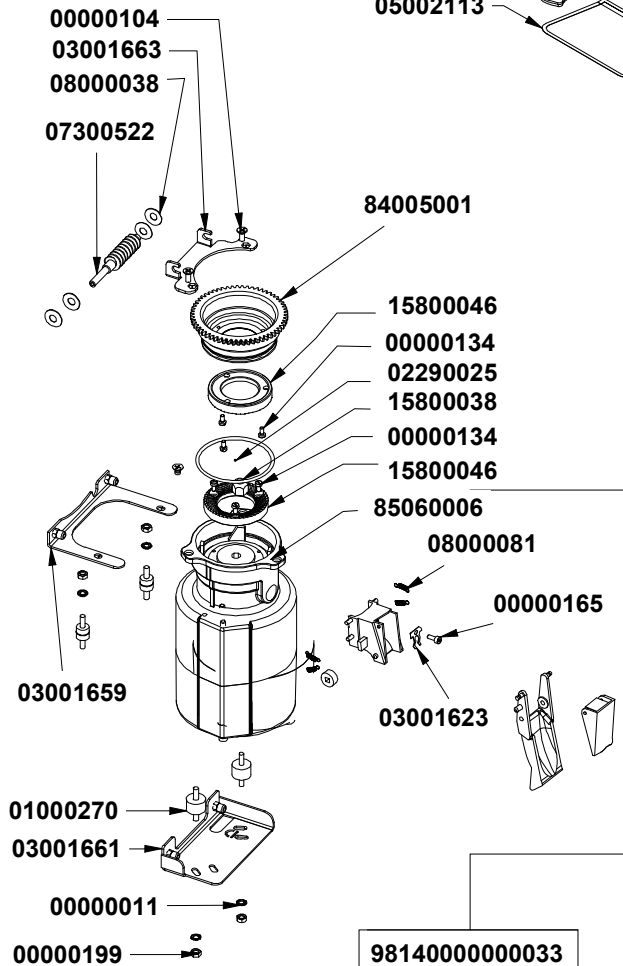
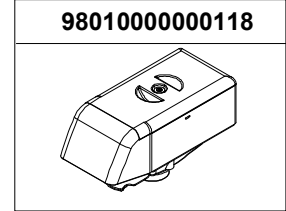
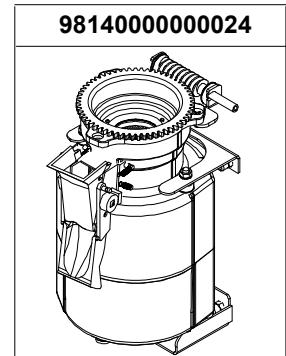
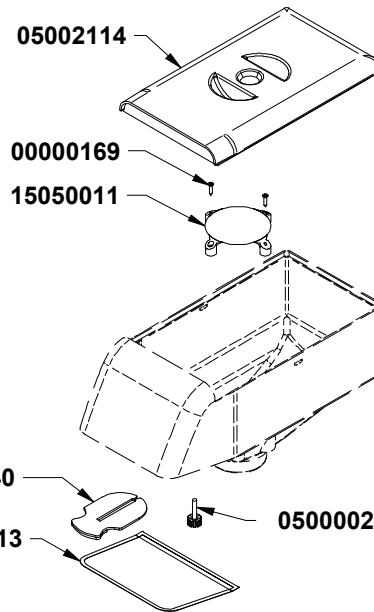
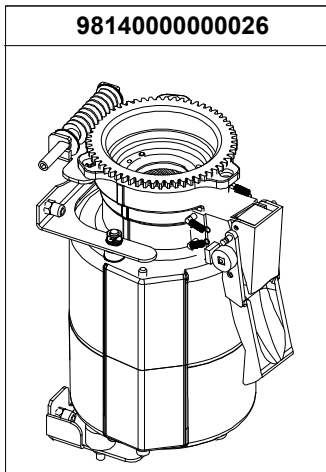
SILENT

SILENT

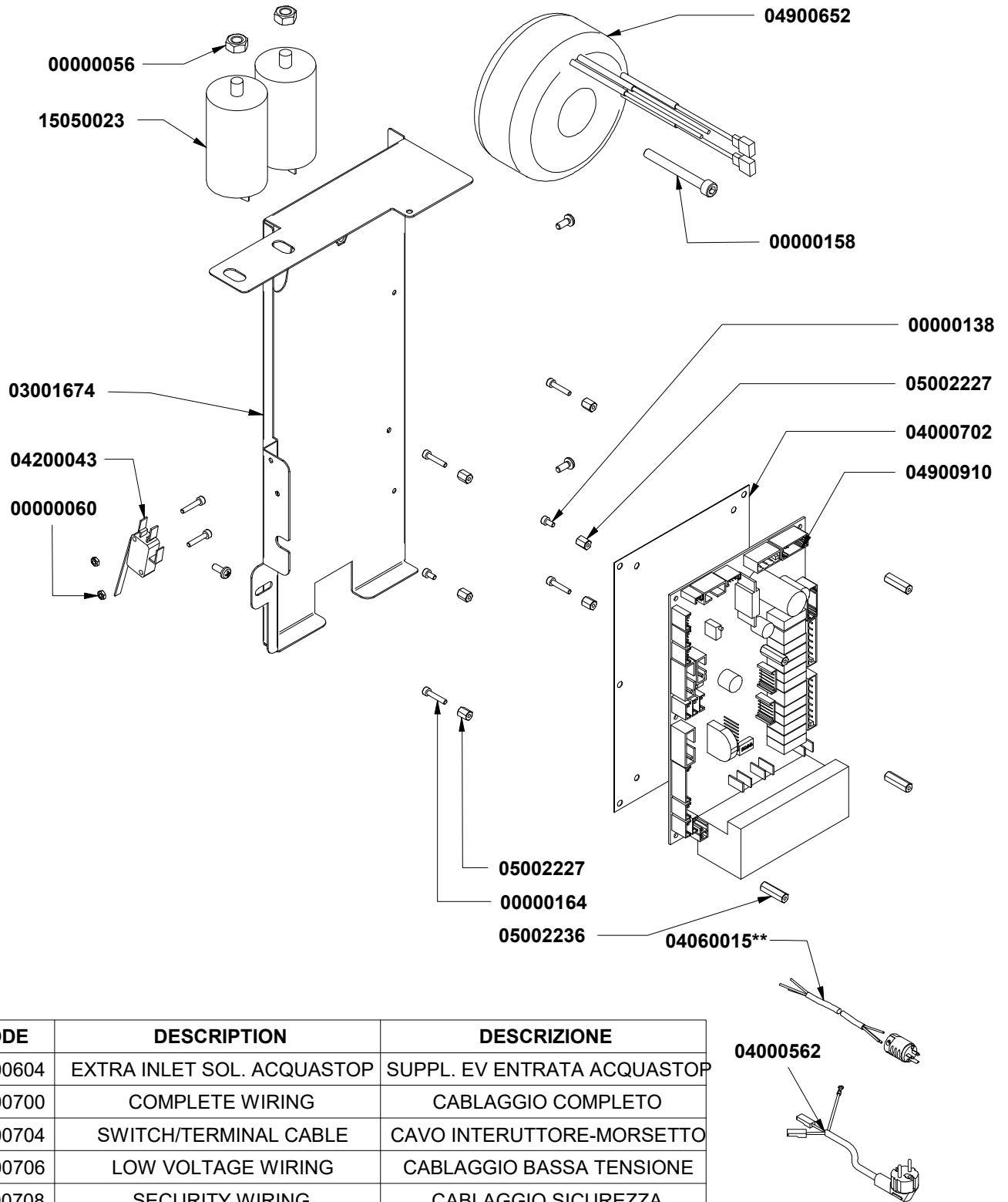
COMPONENTI GRUPPO EROGAZIONE

POURING GROUP PARTS

COD.	DESCRIPTION	DESCRIZIONE	VAL.
9816000000142	GR DISPENSING PROBE + HEAT ELEMENT SET PRONTB/	ASSIEME SONDA + RESISTENZA GR.EROGAZIONE PRONT	



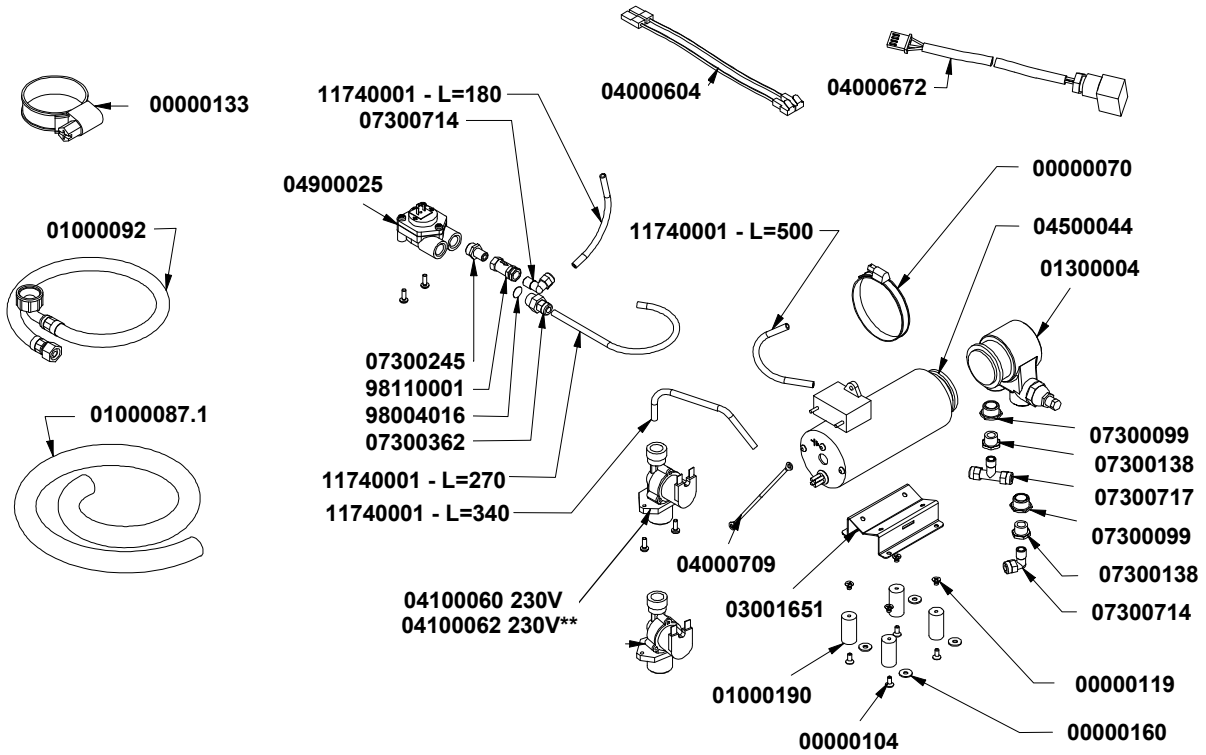
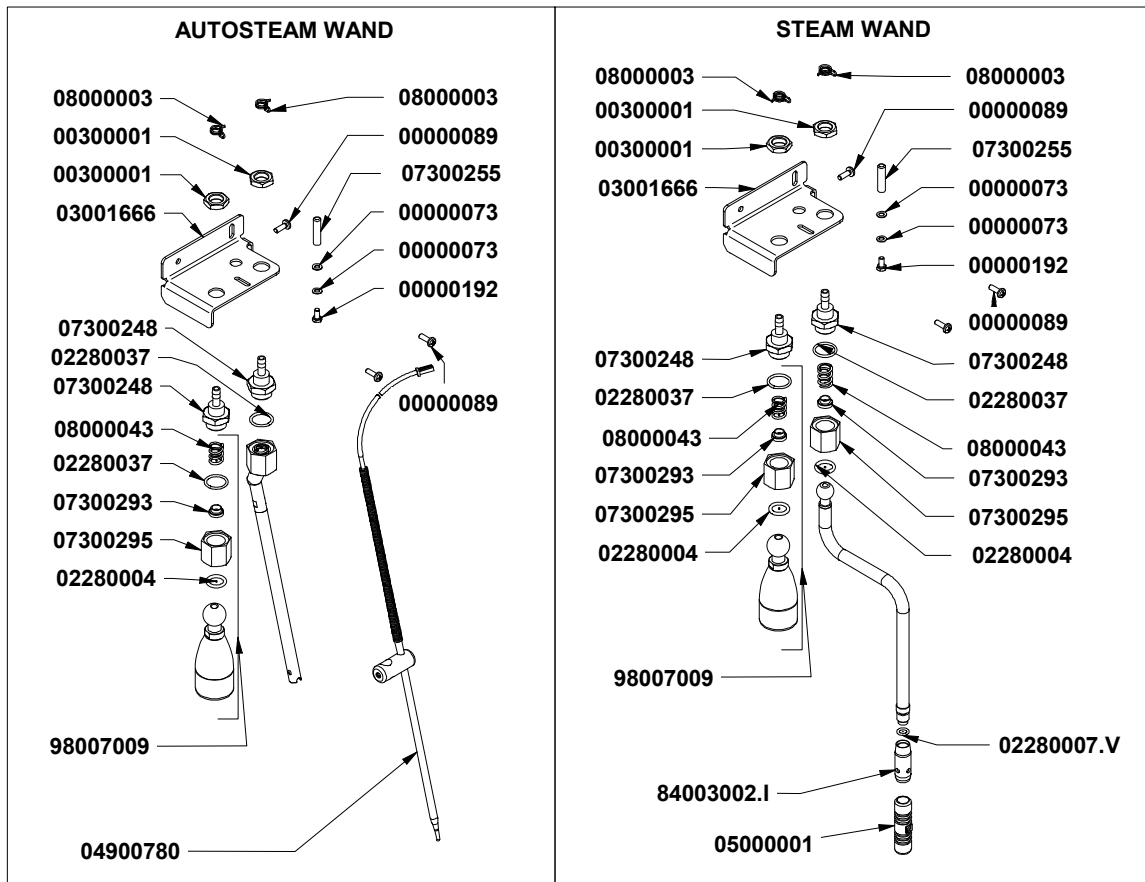
COD.	DESCRIPTION	DESCRIZIONE	VAL.
00000011	S/S KNURLED WASHER M4 UNI8842/A	RONDELLA INOX M4 ZIGRINATA UNI8842/A	
00000104	S/S CROSSHEAD COUNTERSUNK SCREW M4x10 DIN965	VITE INOX M4X10 TSP TCR DIN965	
00000134	GALV SCREW AQ M3x6 TC TC UNI 6107	VITE AQ M3X6 TC TC ZINC. UNI6107	
00000165	S/S SCREW M3x8 TCEI ISO 4762	VITE INOX M3X8 TCEI ISO 4762	
00000169	S/S SELF-TAPPING SCREW 2,9x13 TSP/TCR	VITE AUTOF INOX 2,9X13 TSP/TCR	
00000199	S/S NUT M4 MEDIUM UNI 5588	DADO INOX M4 MEDIO UNI 5588	
01000270	ANTI-VIBRATING AD 15X10 M4 MM	ANTIVIBRANTE AD 15X10 M4 MM	
02290025	GASKET O RING VITON GRINDER 193	GUARN. OR3193 VITON X MACININO	
03001486	QUICK JUNCTION T 1/8 GIR. D4	SUPPORTO REGISTRO MACININO DX	
03001623	CLUMP CRUSHER PRONTOBAR - MICROBAR	CLUMP CRUSHER PRONTOBAR - MICROBAR	
03001659	SUPERIOR GRINDER SUPPORT PRONTOBAR 2017	SUPPORTO SUPERIORE MACININO	
03001661	INFERIOR GRINDER SUPPORT PRONTOBAR 2017	SUPPORTO INFERIORE MACININO	
03001663	LEFT GRINDER REGISTER SUPPORT PRONTOBAR 2017	SUPPORTO REGISTRO SX MACININO	
05000029	KNOB M4x20 HEAD D13x4	POMELLO M4X20 TESTA D.13X4	
05002113	ADESIVE FILM FOR COFFEE HOPPER PRONTOBAR	PELLICOLA ADESIVA PER CAMPANA PRONTOBAR	
05002114	COFFEE HOPPER COVER PRONTOBAR	COPERCHIO CAMPANA CAFFE' PRONTOBAR	
07300522	MICROBAR GRINDING ADJUSTMENT SCREW	VITE REGOLAZIONE MACINATURA MICROBAR	
08000038	BELLEVILLE WASHER 15x6.2x0.5x0.5	MOLLA A TAZZA 15X6,2X0,5X0,5	
08000081	MICROBAR LEFT GRINDER MOBILE CHUTE RECALL SPR	MOLLA RICHIAMO SCIVOLO MOBILE MACININO SX MICRO	
15000040	HOPPER LOCK MDX/L 5101.0020	CHIUSURA CAMPANA MDX/L 5101.0020	
15050011	HOPPER SAFETY LOCK 5101.0012	CHIUSURA SICUR.CAMPANA 5101.0012	
15800038	LOCK NUT MCF BURR	DADO BLOCCAGGIO MACINE MCF	
15800046	BURR PAIR D50 3 HOLES TITANIUM	COPPIA MACINE D50 3 FORI TITANIO	
84005001	SERRATED SUPERIOR BURR HOLDER MICROBAR/PRON	PORTAMACINE SUPERIORE DENTATO MICROBAR / PRON	
85060006	INFERIOR BURR HOLDER FINISHED GRINTA	PORTAMACINE INF. LAVORATO	
98010000000118	COFFEE HOPPER SET PRONTOBAR	ASSIEME CAMPANA PRONTOBAR	
98140000000024	RIGHT GRINDER SET W/ TIT. BURRS PRONTOBAR TFT	ASS. MACININO DX PRONTOBAR TFT MACINE TITANIO	
98140000000026	LEFT GRINDER SET W/ TIT. BURRS PRONTOBAR TFT	ASS. MACININO SX PRONTOBAR TFT MACINE TITANIO	
98140000000031	RIGHT GRINDER CHUTE SET PRONTOBAR	ASS. SCIVOLO PER MACININO DX PRONTOBAR	
98140000000033	LEFT GRINDER CHUTE SET PRONTOBAR	ASS. SCIVOLO PER MACININO SX PRONTOBAR	



CODE	DESCRIPTION	DESCRIZIONE
04000604	EXTRA INLET SOL. ACQUASTOP	SUPPL. EV ENTRATA ACQUASTOP
04000700	COMPLETE WIRING	CABLAGGIO COMPLETO
04000704	SWITCH/TERMINAL CABLE	CAVO INTERUTTORE-MORSETTO
04000706	LOW VOLTAGE WIRING	CABLAGGIO BASSA TENSIONE
04000708	SECURITY WIRING	CABLAGGIO SICUREZZA
04000710	MAIN BOARD/DISP. CONN CABLE	CAVO CONN. CENTR.-DISPLAY
04000712	BOARD/DISPENS KEYPD CABLE	CAVO CENTR.-SCHEMA EROG.
04000716	CENTRAL UNIT/USB CONN.CABLE	CAVO CONN. CENTRALINA-USB

**North America Market
Mercato Nord America

COD.	DESCRIPTION	DESCRIZIONE	VAL.
00000056	GALV HIGH NUT AQ M8	DADO AQ M8 ALTO ZINCATO	
00000060	GALV MEDIUM NUT AQ M3	DADO AQ M3 MEDIO ZINCATO	
00000138	GALV SCREW M3x6 TCEI	VITE AQ M3X6 TCEI ZINC.	
00000158	S/S HEXAGON SOCKET HEAD SCREW M6x50 UNI 5931	VITE INOX M6X50 TCEI UNI 5931	
00000164	S/S SCREW M3x16 TCEI ISO 4762	VITE INOX M3X16 TCEI ISO 4762	
03001674	CENTRAL UNIT SUPPORT PANEL - PRONTOBAR	LAMIERA SUPPORTO CENTRALINA PRONTOBAR	
04000562	PWER SUPPLY CABLE H05VV-F CE 3x1,5 PLUG SCHUKO	CAVO ALIM. H05VV-F CE 3X1,5 SPINA SCHUKO 90°	
04000604	EXTRA INLET SOLENOID MICROBAR 04 ACQUASTOP	SUPPLEMENTO EV ENTRATA MICROB.2004 ACQUASTOP	
04000700	COMPLETE WIRING PRONTOBAR	CABLAGGIO COMPLETO PRONTOBAR	
04000702	CENTRAL UNIT PVC PROTECTION PRONTOBAR	PROTEZIONE PVC CENTRALINA PRONTOBAR	
04000704	SWITCH/TERMINAL CABLE PRONTOBAR	CAVO INTERUTTORE-MORSETTO PRONTOBAR	
04000706	LOW VOLTAGE WIRING PRONTOBAR	CABLAGGIO BASSA TENSIONE PRONTOBAR	
04000708	SECURITY WIRING PRONTOBAR	CABLAGGIO SICUREZZA PRONTOBAR	
04000710	CENTRAL UNIT/DISPLAY CONN CABLE PRONTOBAR WHI	CAVO CONNESSIONE CENTRALINA - DISPLAY PRONTOBAR	
04000712	CNTRL UNIT/DISPENS KEYPD CONN CBLE BLACK PRONT	CAVO CONNESSIONE CENTRALINA - SCHEDA EROG. PRO	
04000716	CENTRAL UNIT/USB CONNECTING CABLE PRONTOBAR	CAVO CONNESSIONE CENTRALINA - USB PRONTOBAR	
04060015	CABLE+PLUG AWG3x14 SJO UL/CSA 20A 250V NEMA 6-20	CAVO ALIM. AWG3X14 SJO 90°C UL/CSA 2MT SPINA USA D	
04200043	MICRODOOR/MASTER DRAWER/MICROBAR	MICRO PORTA/CASSETTO MASTER/ MICROBAR/CAFF. ITA	
04900652	TRANSFO 230V/18V 150VA 50/60Hz FUSE750mAT MICROE	TRASF. COMPL.MICROBAR 230V/18V 150VA 50/60HZ FUSE	
04900910	ELECTRONIC CNTRL BOARD PRONTOBAR 18Vac	CENTR. ELETT. PRONTOBAR 18VAC	
05002227	HEXAGON SPACER M3 H8	DISTANZIALE ESAGONO 6 M3 H8	
05002236	HEXAGON SPACER 6 M3 h20	DISTANZIALE ESAGONO 6 M3 H20	
15050023	CAPACITOR 16mF 450V 40x70 UL FASTON M6,3 TANG	CONDENS. 16MF 450V 40X70 UL FASTON M6,3 CODOLO M	
R15050023	KIT-CAPACITOR 16mF 450V 40x70 UL FASTON M6,3 TANG	KIT-CONDENS. 16mF 450V 40x70 UL FASTON M6,3 CODOL	



**North America Market
Mercato Nord America

COD.	DESCRIPTION	DESCRIZIONE	VAL.
00000070	SGT CLIP 50/70 9 W4	FASCETTA SGT 50/70 9 W4	
00000073	S/S WASHER D.8x4x1 UNI6592	RONDELLA INOX 8X4X1 UNI6592	
00000089	S/S CROSSHEAD CAP SCREW M4x12 DIN7985	VITE INOX M4X12 TC TCR DIN7985	
00000104	S/S CROSSHEAD COUNTERSUNK SCREW M4x10 DIN965	VITE INOX M4X10 TSP TCR DIN965	
00000119	SS CROSS HEAD COUNTERSUNK SCREW M4x6 ISO 7046	VITE INOX M4X6 TSPTCR ISO 7046	
00000133	S/S CLIP WD12 16-25 C7 W2	FASCETTA INOX WD12 16-25 C7 W2	
00000160	S/S WASHER D4X12 UNI 6593	RONDELLA INOX D4X12X1 UNI 6593	
00000192	S/S SCREW M4x8 TE UNI 5739	VITE INOX M4X8 TE UNI 5739	
00300001	BRASS NUT 1/4 GAS D5 CH18	DADO OT 1/4 GAS SPESS.5 CH18 *AGG. 22.07.96	
01000087.1	DISCHARGE TUBE 18x24,4 STEEL SPIRAL COIL 50m	TUBO SCARICO 18X24,4 SPIRALE ACCIAIO (BOBINE DA 50)	
01000092	3/8F-3/4F90D WATER CHARGE PIPE 1,5mt + FILTER	TUBO CARICO ACQUA 1,5 MT EPDM 3/8F OTT - 3/4F 9 GHIE	
01000190	VIBRATION DAMPER D15x30 M4 FF	ANTIVIBRANTE CD15X30 M4 FF * KB *	
01300004	VOLUMETRIC PUMP 50 lt/h OT-57	POMPANTE VOLUMETRICO 50 LT/H OT-57 *KBB*	
02280004	GASKET O RING 115 D17 EP 856 x SWIVEL STEAM PIPE	GUARN. OR 115 D.17 EP856 SNODO LANCIA	
R02280004	KIT-GASKET O RING 115 D17 EP 856 x STEAM PIPE - 55Pc	KIT-GUARN. OR 115 D.17 EP856 SNODO LANCIA - 55Pz	
02280007.V	GASKET O RING R5A D10 DF801 VITON	GUARN. OR R5A D.10 DF801 VITON	
02280037	GASKET O RING JOINT LOCK 16x2 NBR70	GUARN. OR CHIUSURA SNODO 16X2 NBR70	
R02280037	KIT-GASKET O RING JOINT LOCK 16x2 NBR - 45Pcs	KIT-GUARN. OR CHIUSURA SNODO 16x2 NBR - 45Pz	
03001651	PUMP SUPPORT PLATE	SUPP. POMPA VOLUM.MOTORE BASSO PRONTOBAR	
03001666	STEAM WAND + HOT WATER SUPPORT - PRONTOBAR	SUPPORTO LANCIA VAPORE + ACQUA CALDA PRONTOBAR	
04000604	EXTRA INLET SOLENOID MICROBAR 04 ACQUASTOP	SUPPLEMENTO EV ENTRATA MICROB.2004 ACQUASTOP	
04000672	VOLUMETRIC COUNTER CABLE DIRECT ATT MUSICA	CAVO CONTATORE VOLUMETRICO ATT DIRETTO MUSICA	
04000709	GROUND CABLE L=150 2 EYELET D4,5 PUMP PRONTOBAR	CAVO TERRA L=150 2 OCCHIELLI D4,5 POMPA PRONTOBAR	
04100060	2WAY SOLENOID 3/4-JG 6 STRAIGHT+FILTR F.2,5	E.V. NC 2VIE 3/4-JG 6 REGOL+FILTR F.2,5 230V 50/60HZ+S	
R04100060	KIT-2WAY SOLENOID 3/4-JG 6 STRAIGHT+FILTR F.2,5 - 1P	KIT-E.V. NC 2VIE 3/4-JG 6 DIRITTA REGOL+FILTR F.2,5 - 1Pz	
04100062	2WAY SOLENOID 3/4-JG6 STRAIGHT ULREGOL+FILTR	E.V. NC 2VIE 3/4-JG6 UL+FILTR F.2,5 208/240V60HZ+STAFF	
04500044	COMPACT ENGINE 230V 50/60Hz 40W PRONTOBAR 2013	MOTORE COMPATTO PRONTOBAR 2013 230V 50/60HZ 40W	
04900025	BRASS FLOWMETER 1/4-1/4 GAS-ATT. HEAD 2,8x0,5	DOSATORE VOLUMETRICO OTT. 1/4-1/4 GAS-ATT. TEST. 2	
04900780	PROBE PT1000 STEAMWAND TURBOCREAM D06 +SUP A	SONDA PT1000 X LANCIA VAPORE "TURBO CREAM" D06 +	
05000001	RUBBER PROTECTION FOR STEAMWAND D10	GOMMINO PROTEZIONE LANCIA D.10	
R05000001	KIT-RUBBER PROTECTION FOR STEAMWAND D10 - 10Pc	KIT-GOMMINO PROTEZIONE LANCIA D.10 - 10Pz	
07300099	FITTING ADAPTER 3/8-1/4 ES. 20 ADD. 29.05.96	RIDUZIONE 3/8-1/4 ES.20 AGG. 29.05.96	
07300138	FITTING ADAPTER 1/4M-1/8F ES.17 AGG.29.05.96 OT-58	RIDUZIONE 1/4"M - 1/8"F ES.17 OT-58	
07300245	FITTING 1/4M L=6.5 1/8M L=12	RACCORDO 1/4M L=6.5 1/8M L=12	
07300248	FITTING 3/8M RUBBER CLAMP FOR WAND	RACCORDO 3/8M-PORTAGOM. LANCIA	
07300255	LOCK PIN PRONTOBAR	PERNO SERRATURA PRONTOBAR	
07300293	ARTICULATED BUSHING AG.25.06.96 OT-57	BUSSOLA SNODO AG.25.06.96 OT-57	
07300295	NUT FITTING 3/8 H=21 BRASS-NICKEL ARTICULATED WA	DADO RACC. 3/8 H=21 LANCIA SNODATA	
R07300293	KIT-ARTICULATED BUSHING - 15Pcs	KIT-BUSSOLA SNODO - 15Pz	
R07300295	KIT-NUT FITTING 3/8 H=21 BRASS-NICKEL ARTICULATED	KIT-DADO RACC. 3/8 H=21 LANCIA SNODATA - 6Pz	
07300362	STRAIGHT FITTING 1/4 M-FITTINGS.6 340	RACCORDO DIR. 1/4 M-CALZ.6 340	
07300714	L FITTING 1/8 M - FITTINGS.6	RACCORDO L 1/8 M - CALZAM.6	
R07300714	KIT-L FITTING 1/8 M - FITTINGS.6 - 6Pcs	KIT-RACCORDO L 1/8 M - CALZAM.6 - 6Pz	
07300717	T FITTING FITTINGS.6 - 1/8 M - FITTINGS.6	RACCORDO T CALZAM.6 - 1/8 M - CALZAM.6	
08000003	HOSE CLAMP D9,1	FASCETTA STRINGITUBO D9.1	
08000043	SPRING FOR ARTICULATED WAND D.1.6 D.11.9x16.2	MOLLA PER LANCIA SNODATA FILO D.1.6 D.11.9X16.2 4 SP	
R08000043	KIT-SPRING FOR ARTICULATED WAND D.1.6 D.11.9x16.2	KIT-MOLLA PER LANCIA SNODATA FILO D.1.6 D.11.9X16.2 - 1	
11740001	TEFLON PIPE 6/4	TUBO TEFLON 6/4	
84003002.I	S/S HOT WATER SPOUT AND STEAM WAND 4 HOLES	BECCO INOX ACQUA CALDA E VAPORE LANCIA MICROBA	
98004016	S/S FILTER D12	FILTRO INOX DIAM. 12	

prontobar

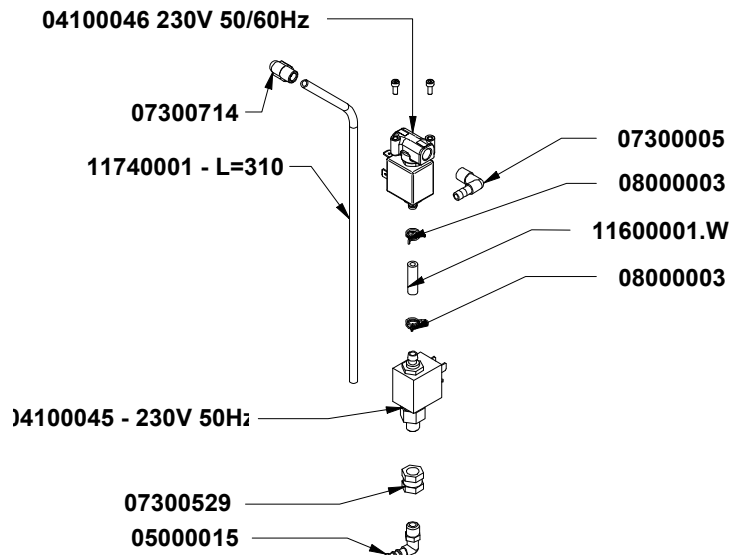
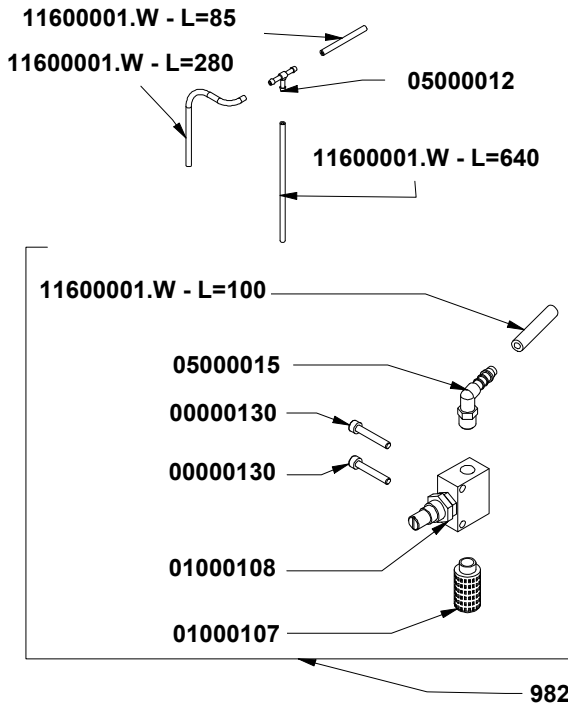
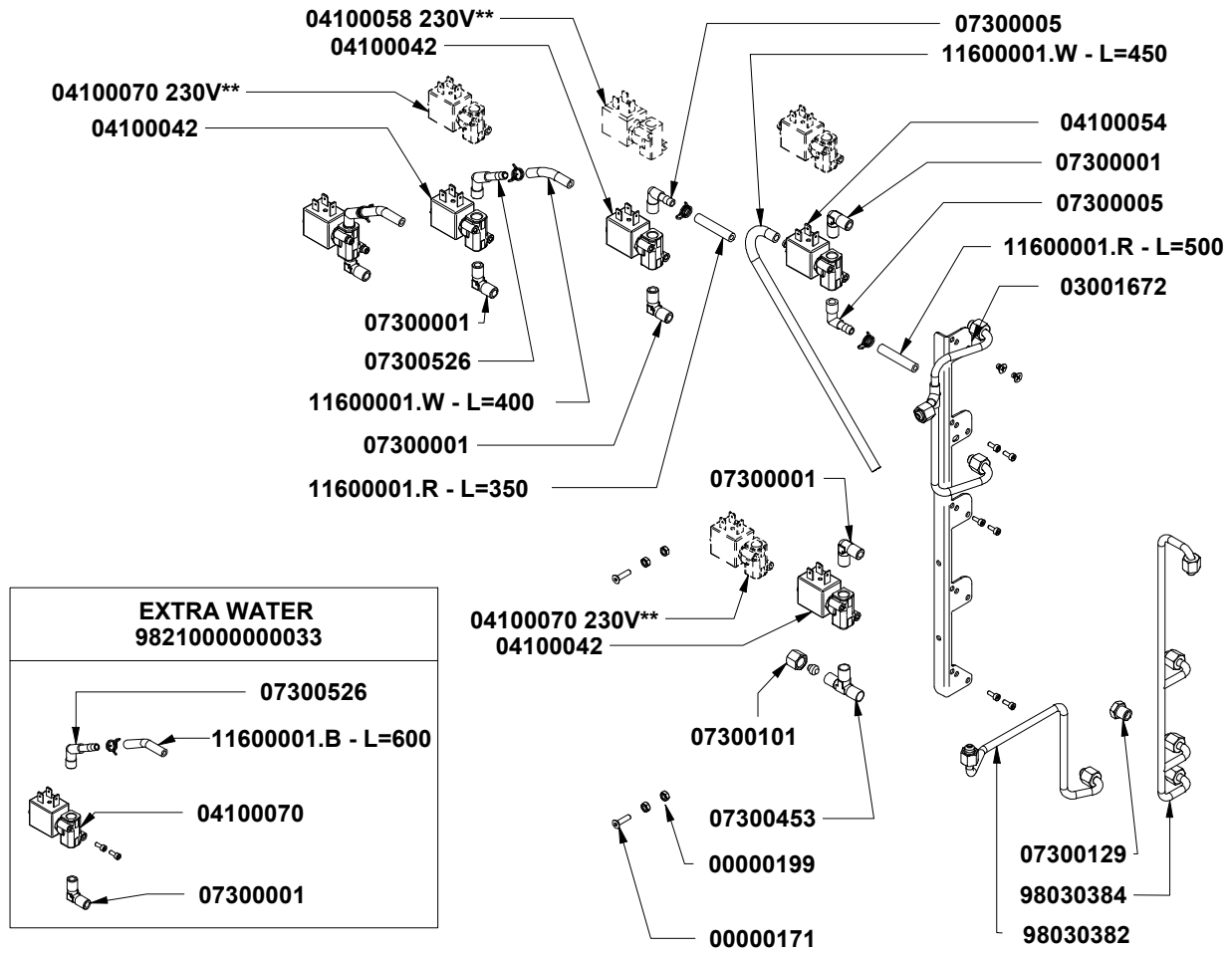
SILENT

SILENT

PARTI POMPA E LANCE

WAND AND PUMP PARTS

COD.	DESCRIPTION	DESCRIZIONE	VAL.
R98004016	KIT-S/S FILTER D12 - 25Pcs	KIT-FILTRO INOX DIAM. 12 - 25Pz	
98007009	S/S HOTWATER WAND KIT L70 W/ DIFFUSER	KIT LANCIA ACQUA C. INOX L=70 COMP. DI ROMPIGETTO 8	
R98007009	KIT-S/S HOTWATER WAND KIT L70 W/ DIFFUSER - 1Pcs	KIT-KIT LANCIA ACQUA C. INOX L=70 COMP. DI ROMPIGE-	
98110001	RETURN VALVE 1/8 F-FOT-58	VALVOLA RITEGNO COMPL. 1/8 F-FOT-58	
R98110001	KIT-RETURN VALVE 1/8 F-F - 3Pcs	KIT-VALVOLA RITEGNO COMPL. 1/8 F-F - 3Pz	



**North America Market
Mercato Nord America

COD.	DESCRIPTION	DESCRIZIONE	VAL.
00000130	GALV SLT COUNTERSUNK SCREW M3X30	VITE INOX M4X25 TCEI UNI 5931	
00000171	S/S HEXAGON SOCKET CS FH CAP SCREW M4x16 UNI 5931	VITE INOX M4X16 TSPEI UNI 5933	
00000199	S/S NUT M4 MEDIUM UNI 5588	DADO INOX M4 MEDIO UNI 5588	
01000107	VALVE SILENCER 1/8 491	SILENZIATORE 1/8 491	
01000108	TAP MRF 1/8 FF 604	RUBINETTO MRF 1/8 F-F 604	
R01000107	KIT-VALVE SILENCER 1/8 - 3Pcs	KIT-SILENZIATORE 1/8 - 3Pz	
R01000108	KIT-TAP MRF 1/8 FF - 1Pcs	KIT-RUBINETTO MRF 1/8 F-F - 1Pz	
03001672	SOLENOID VALVE SUPPORT PANEL - PRONTOBAR	LAMIERA SUPPORTO EV. PRONTOBAR	
04100042	2WAY SOLENOID 1/8-1/8 220-230V50/60Hz F2 CE TH1xM4	E.V. NC 2VIE 1/8-1/8 220-230V 50/60HZ VITON F2 CE	
R04100042	KIT-2WAY SOLENOID 1/8-1/8 220-230V50/60Hz F2 CE - 1Pcs	KIT-E.V. NC 2VIE 1/8-1/8 220-230V 50/60Hz VITON F2- 1Pz	
04100045	2WAY SOLENOID 1/8 M HOSE SUPPORT 208/240V	E.V. NO 2VIE 1/8M-PORTAGOMMA 208/240V 50/60HZ VITON	
04100046	3WAY SOLENOID 1/8 1/8 M HOSE SUPPORT 230V	E.V. NC 3VIE 1/8-1/8 PORTAG. 230V 50/60HZ VITON F1.5/1.2	
R04100046	KIT-3WAY SOLENOID 1/8 1/8 M HOSE SUPPORT 230V - 1Pcs	KIT-E.V. NC 3VIE 1/8-1/8 PORTAG. 230V 50/60HZ VITO- 1Pz	
04100054	3WAY SOLENOID 1/8-1/8 HOSE CLAMP 220-230V50/60Hz	E.V. NC 3VIE 1/8-1/8 PORTAG. 220-230V 50/60HZ VITON F2	
04100058	2WAY SOLENOID 1/8-1/8 208-240V 60Hz F2 UL TH2xM3	E.V. NC 2VIE 1/8-1/8 208-240V 60HZ VITON F2 UL PIEDINO F	
04100070	2WAY SOLENOID 1/8-1/8 208-240V 50/60Hz VITON	E.V. NC 2VIE 1/8-1/8 208-240V 50/60HZ VITON F1.5 ULPIEDI	
05000012	TUBE FASTENING TS 6	RACCORDO PORTATUBO TS 6	
R05000012	KIT-TUBE FASTENING TS 6 - 10Pcs	KIT-RACCORDO PORTATUBO - 10Pz	
05000015	TUBE FASTENING WES 6R 1/8	RACCORDO PORTATUBO WES 6R 1/8	
07300001	L FITTING 1/8 M-M 459	RACCORDO L 1/8 M-M 459	
07300005	ANGULAR RUBBER CLAMP 1/8x7 F1 4.8 ADD 18.06.96	PORTAGOMMA ANG. 1/8X7 F1 4.8	
07300101	FITTING NUT 1/8 GAS	DADO RACCORDO 1/8 GAS	
07300129	PLUG 1/8 GAS OT-58	TAPPO 1/8 GAS OT-58	
07300453	T FITTING 1/8 M-M-M	RACCORDO T 1/8 M-M-M	
07300526	HOSE FITTING 1/8M 120 488/B 6	RACCORDO PORTAGOMMA 1/8M 120 488/B 6	
07300529	THREADED SLEEVE F-F 1/8	MANICOTTO FILETTATO F-F 1/8	
07300714	L FITTING 1/8 M - FITTINGS.6	RACCORDO L 1/8 M - CALZAM.6	
R07300714	KIT-L FITTING 1/8 M - FITTINGS.6 - 6Pcs	KIT-RACCORDO L 1/8 M - CALZAM.6 - 6Pz	
08000003	HOSE CLAMP D9,1	FASCETTA STRINGITUBO D9.1	
11600001.B	BLUE SILICONE PIPE 4x7,5 60Sh (1mt=41gr)	TUBO SILICONE BLU 4X7,5 60SH (1MT=41GR) PLATINICO S	
11600001.R	RED SILICONE PIPE 4x7,5 60Sh(1mt=41gr)	TUBO SILICONE ROSSO 4X7,5 60SH(1MT=41GR) PLATINICO	
11600001.W	WHITE SILICONE PIPE 4x7,5 60Sh(1mt=41gr)	TUBO SILICONE BIANCO4X7,5 60SH(1MT=41GR)	
11740001	TEFLON PIPE 6/4	TUBO TEFLON 6/4	
98030382	INFERIOR STEAM BOILER TUBE PRONTOBAR	TUBO INF. CALDAIA VAPORE PRONTOBAR	
98030384	SUPERIOR HOT WATER BOILER TUBE PRONTOBAR	TUBO SUP. CALDAIA ACQUA CALDA PRONTOBAR	
98210000000033	PRONTOBAR2013-2017-TFT EXENSION SOLENOID SET	ASSIEME E.V. ALLUNGO PRONTOBAR 2013 - 2017 - TFT	
98210000000035	AIR TAP SET PRONTOBAR	ASS. RUBINETTO ARIA PRONTOBAR	

www.nuovasimonelli.it

Simonelli Group

Via E. Betti, 1
62020 Belforte del Chienti
Macerata - Italy
T +39 07339501
info@simonelligroup.it
www.nuovasimonelli.it

Nuova Distribution Usa

6940 Salashan Pkwy, Bldg, A
Ferndale, WA 98248
T +1 3603662226
info@simonelliusa.com
www.simonelliusa.com

Nuova Simonelli Asia Pacific

61 Kaki Bukit Ave 1
#02-24 Shun Li Industrial Park
Singapore 417943
T +65 68410985
www.nuovasimonelliasiapacific.com

Nuova Distribution France

Hexapole - Actipole - Bat 5
Rue Maurice Herzog
73420 Viviers Du Lac
T +33 (0) 967894852
info@nuovadistribution.fr